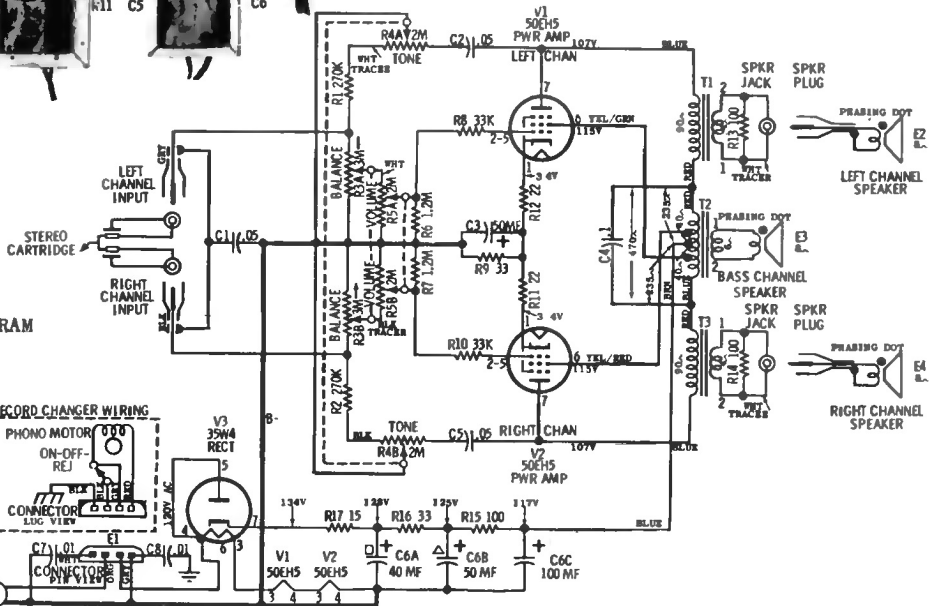


HS-1058 CHASSIS
PARTS LOCATION

MOTOROLA

Model SP44, Chassis HS-1058

HS-1058 SCHEMATIC DIAGRAM



NOTES
CAPACITORS - UNLESS OTHERWISE SPECIFIED
DECIMAL VALUES IN MF, ALL OTHERS IN MMF.
VOLTAGES - MEASURED FROM POINT INDICATED
TO B- WITH A VTVM. +10% NO SIGNAL INPUT.

⊥ = CHASSIS GROUND

⊥ = RC GROUND

— = 0-